



MONOBLOCK DBB VALVES

sami-instruments.com



**In the sign  
of evolution  
and safety**

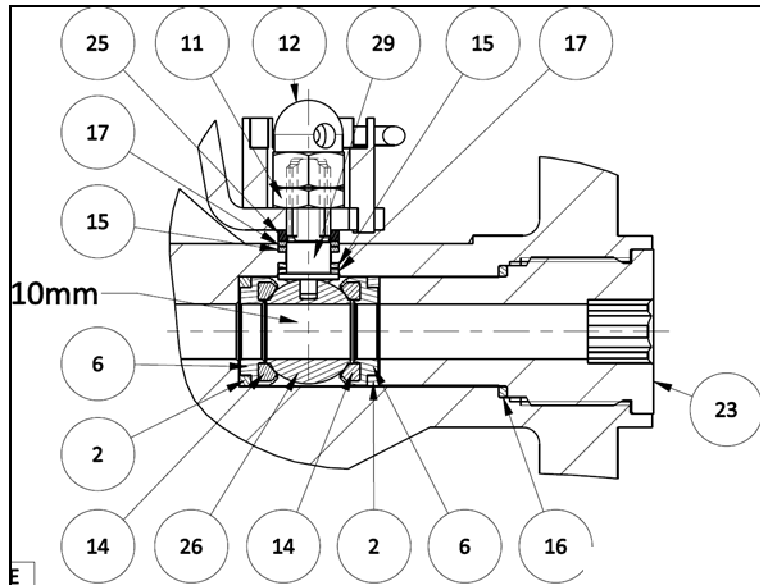


SAMI instruments srl  
via Botte, 8  
35011 Reschigliano  
di Campodarsego • PD • Italy

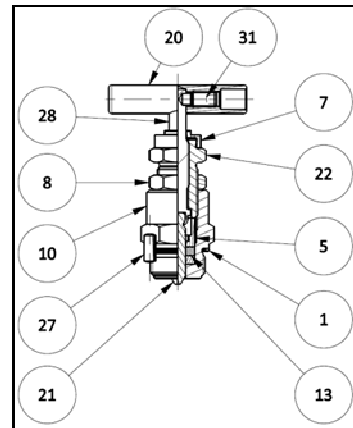
tel. +39 049 9201939  
fax +39 049 9217549  
info@sami-instruments.com  
www.sami-instruments.com



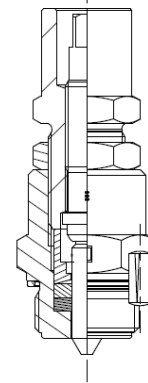
Ball bore size 10 mm



Bleeder



Antitamper (optional)



NO	DESCRIPTION	MATERIAL	QTY
1	Seal ring 5.5	AISI 316L	1
2	Ring cap rear - PTFE	PTFE	4
3	Valve body FLG/FLG	ASTM A105N	1
4	Locking device	AISI 303	2
5	Seal bush 5.5 GRAPHOIL	AISI 316L	1
6	Seat base	AISI 316L	4
7	VENT Cap	Hytrel RED	1
8	Lock nut	AISI 316L	1
9	Handle cover SAMI	Vinile colore RAL 5012	2
10	Body Bonnet 5.5 STD	C50	1
11	Hexagonal nut M8 UNI EN 24035 A4	A4 - AISI 316L	2
12	EXAGONAL NUT UNI 5721 M8	A4	2
13	Bonnet seal - Graphoil	GRAPHOIL	2
14	Seat	PTFE	4
15	Graphoil gasket	GRAPHOIL d.1.75	4
16	Metal seal ring	AISI 316L	2
17	PTFE gasket	PTFE	4
18	Padlock Viro 551.24.0.69		2
19	Handle H=45mm	A350 LF2	2
20	Handle bar STD.	AISI 303	1
21	Plug 5.5 STD	AISI 316L	1
22	Gland Nut 5.5 STD	C50	1
23	Fastening fitting	A350 LF2	2
24	RIVET UNI 7346 2.5X6.5	C15	2
25	Stem pack press washer	AISI 316L	2
26	Ball bore 10mm	AISI 316L	2
27	PIN UNI 1474-S4 4X10	A2	3
28	Bonnet 5.5 stem STD	AISI 316L	1
29	Ball stem	AISI 316L	2
30	Plate features	AISI 316L	1
31	SCREW STEI UNI 5925 M6X12	A4	1

### Non-rotating Metal Stem Tip

A non rotating stem tip is typically used in high cycle applications to extend the service life of the valve. Its purpose is to prevent galling of the valve seat in contact with the non-rotating stem, which is driven straight into it without rotating.

- Tee bar easy manoeuvrability with minimum effort
- PTFE packing standard, optional graphoil
- Anti-static device
- Stainless steel construction as standard, optional: carbon steel LF2, Duplex, Super Duplex, Monel 400, Hastelloy C276, Inconel 625, Titanium, Incolloy 825
- Colour coded functional identification
- Externally adjustable gland
- Variety of end connections
- Standard Drain/Vent connection: 1/2" NPT-F
- Dust cap to prevent contaminations on the operating thread

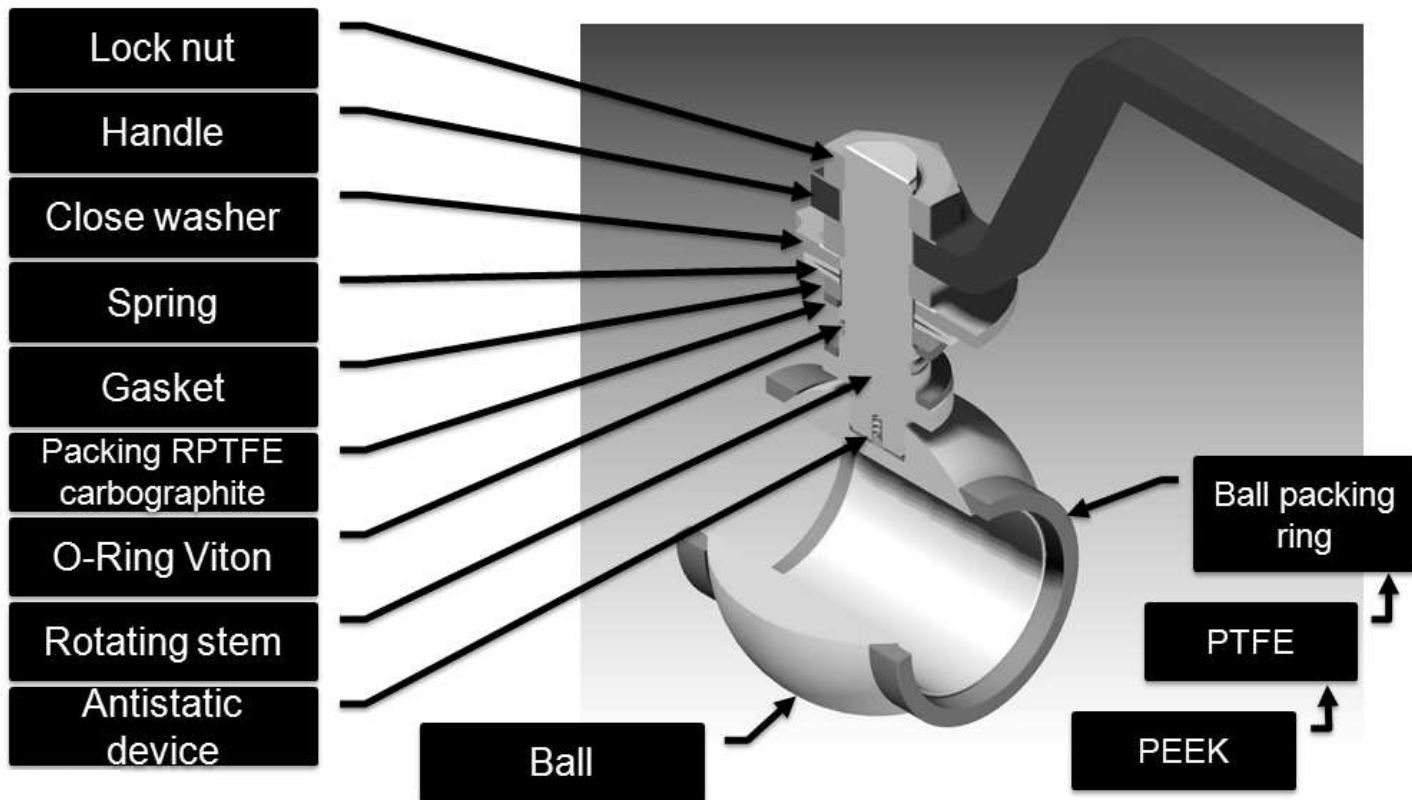


SAMI instruments srl  
via Botte, 8  
35011 Reschigliano  
di Campodarsego • PD • Italy

tel. +39 049 9201939  
fax +39 049 9217549  
info@sami-instruments.com  
www.sami-instruments.com



**Ball Valve**



**Features**

- AISI 316 handle and stop pin as standard for corrosion resistance
- Blowout proof one-piece stem spindle
- Fully encapsulated ball seats
- Super finished ball for low operating torque and long life
- 10 mm or 20 mm bore
- Firesafe to BS 6755 PART. 2
- Pressure rating up to 6.000 psi ( 413 bar )

**Standard Ball Packing for 10 mm bore size:**

- From rating 150 to 600 lbs included: PTFE Carbographe. Temperature range: -54°C +260°C
- From rating 900 to rating 2500 lbs included: PEEK. Temperature range: -40°C +260°C.
- Other packing materials are available on demand.



**SAMI instruments srl**  
 via Botte, 8  
 35011 Reschigliano  
 di Campodarsego • PD • Italy

tel. +39 049 9201939  
 fax +39 049 9217549  
 info@sami-instruments.com  
 www.sami-instruments.com

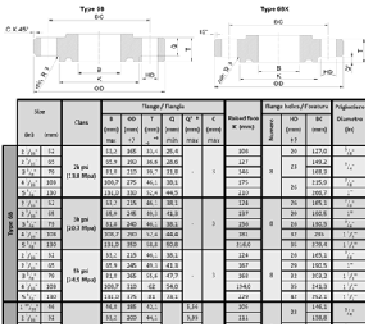


*Standards applicable to our Monoblock DBB valves*

<b>API 6D</b>	Specification for Pipeline Valves (Gate, Plug, Ball and Check Valves)
<b>API 6A</b>	Specification for Wellhead and Christmas Tree Equipment
<b>ASME B16.34</b>	Steel Valves - Flanged & Buttwelding Ends
<b>ASME B16.10</b>	Face-to-Face Dimensions of Ferrous Valves
<b>API 598</b>	Valve Inspection & Testing
<b>EN ISO 10497 Ed. 2010</b> <b>API 607 Ed. 2010</b>	Firesafe

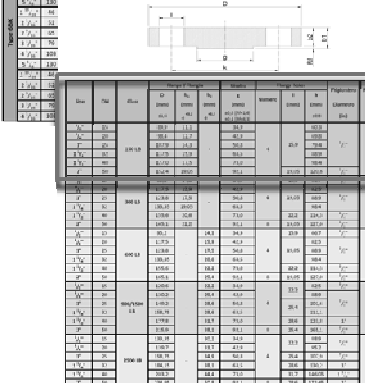
*Flange sizes of Sami DBB comply with ASME and API standards*

API - ISO 10423



Size	DN	Class	Flange / Flangia			Risalto	Flange holes			Prigioniero	Rised face	
			D (mm)	b <sub>1</sub> (mm)	b <sub>2</sub> (mm)		g (mm)	Numero	l (mm)			k (mm)
			±1,6	+5,2 -0	+5,2 -0	±0,8 [RF=1,6] ±0,4 [RF=6,3]						
1/2"	15	150 LB	89,9	11,1		34,9	4	15,9	60,3	1/2"	1,6	
3/4"	20		98,4	12,7		42,9			69,8			
1"	25		107,9	14,3		50,8			79,4			
1 1/4"	32		117,5	15,9		63,5			88,9			
1 1/2"	40		127,0	17,5		73,0			98,4			
2"	50		152,4	19,05		92,1			120,6			5/8"

ANSI B16.5



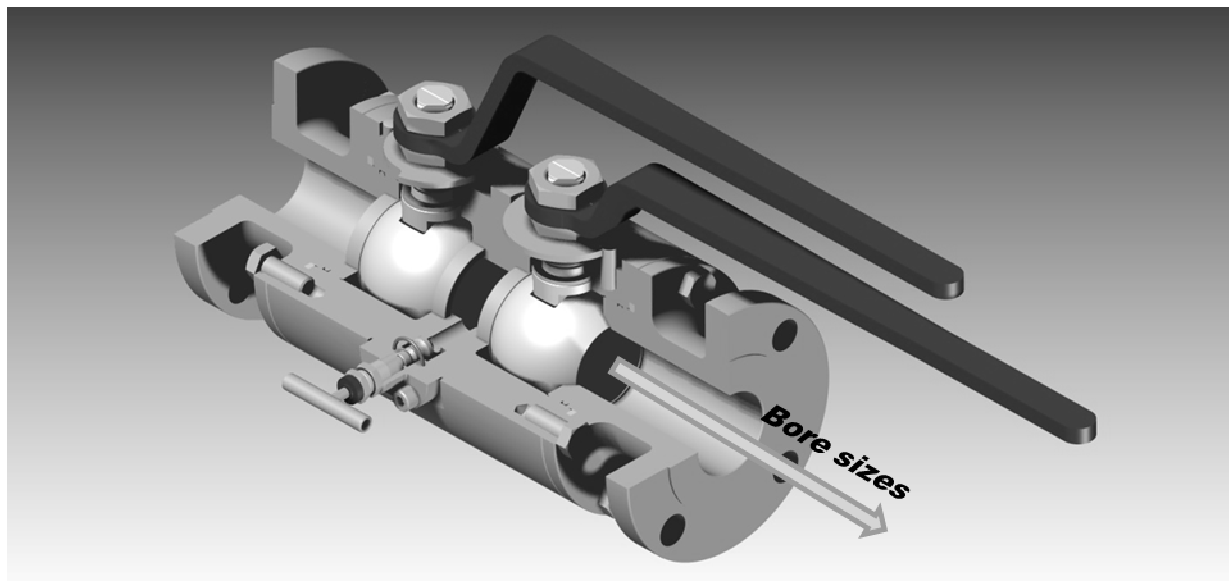
**Flange Finish**  
Our standard flange finish is RF Smooth Finish.  
Other flange ends and finishes are also available upon request.



SAMI instruments srl  
via Botte, 8  
35011 Reschigliano  
di Campodarsego • PD • Italy

tel. +39 049 9201939  
fax +39 049 9217549  
info@sami-instruments.com  
www.sami-instruments.com





Nominal size		Full Bore	Reduced Bore	ANSI Rating
DN 15	1/2"	13	10	150÷2500 Lbs
DN 20	3/4"	19	13	150÷2500 Lbs
DN 25	1"	25	19	150÷2500 Lbs
DN 40	1 1/2"	38	25	150÷2500 Lbs
DN 50	2"	49	38	150÷1500 Lbs
	2"	42		2500 Lbs
DN 75	3"	not yet in production	49	150÷1500 Lbs
	3"		42	2500 Lbs

**FULL BORE**

The diameter of the ball bore is equal to the diameter of the flange bore.

**REDUCED BORE**

The diameter of the ball bore is REDUCED compared to the one of the flanged bore.

**Example**

A valve 1" Full Bore has a bore size of 25 mm.

A valve 1" Reduced Bore has a bore size of 19 mm.

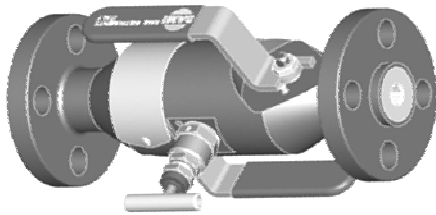


**SAMI instruments srl**  
via Botte, 8  
35011 Reschigliano  
di Campodarsego • PD • Italy

tel. +39 049 9201939  
fax +39 049 9217549  
info@sami-instruments.com  
www.sami-instruments.com

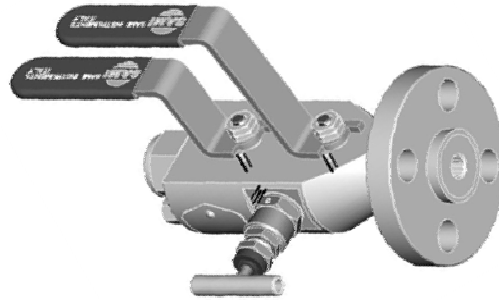


*Our instrumentation DBB range (10 mm bore size):*



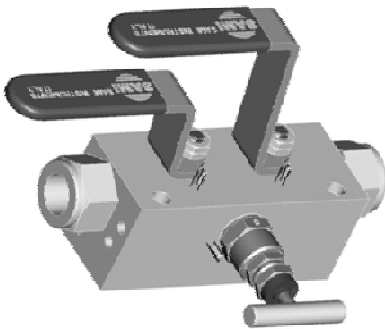
**Flanged/Flanged**

*Our series: BB*



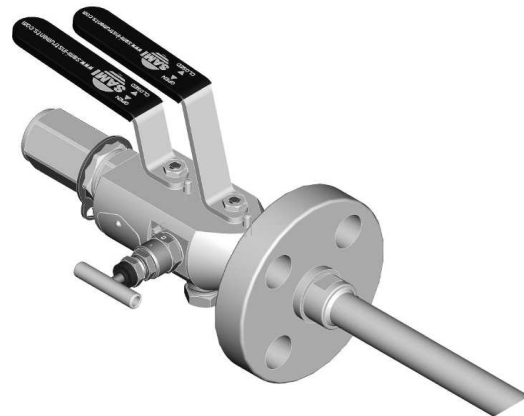
**Flanged/Threaded**

*Our series: BA*



**Threaded/Threaded**

*Our series: BC*



**Injection and Sampling**

*Our series: JA and SF*



SAMI instruments srl  
via Botte, 8  
35011 Reschigliano  
di Campodarsego • PD • Italy

tel. +39 049 9201939  
fax +39 049 9217549  
info@sami-instruments.com  
www.sami-instruments.com



## Instrumentation DBB 10mm bore



### Ordering Information Flanged DBB

Model	Configuration	Trim	Rating	Inlet Size	End Type	Outlet Size	Material	Options
<b>BA</b>	<b>1</b>	<b>A</b>	<b>1</b>	<b>A</b>	<b>B</b>	<b>2</b>	<b>A</b>	<b>A</b>

Model		Configuration		Trim		Rating	
<b>BA</b>	DBB Flanged/Threaded	<b>1</b>	Block - Bleed - Block	<b>A</b>	BALL, NEEDLE, BALL	<b>1</b>	150 lbs
<b>BB</b>	DBB Flanged/Flanged	<b>3</b>	Block - Block - Bleed	<b>B</b>	BALL, NEEDLE, NEEDLE	<b>2</b>	300 lbs
<b>NA</b>	NEEDLE DBB Flanged/Threaded	<b>5</b>	Block - Bleed	<b>C</b>	BALL, BALL, NEEDLE	<b>3</b>	600 lbs
<b>NB</b>	NEEDLE DBB Flanged/Flanged	<b>7</b>	Block - Block	<b>E</b>	BALL, NEEDLE	<b>4</b>	900 lbs
		<b>9</b>	Block	<b>F</b>	BALL, BALL	<b>5</b>	1500 lbs
				<b>H</b>	NEEDLE, NEEDLE	<b>6</b>	2500 lbs
				<b>I</b>	NEEDLE, NEEDLE, NEEDLE		
				<b>O</b>	BALL		
				<b>Q</b>	NEEDLE		
				<b>R</b>	BALL, BALL, BALL		

Inlet Size		End Type		Outlet Size		Material		Options	
<b>A</b>	1/2"	<b>A</b>	RF Stock Finish	<b>1</b>	1/4" NPT	<b>A</b>	Aisi 316L	<b>A</b>	Drain / Vent 1/4"
<b>B</b>	3/4"	<b>B</b>	RF Smooth Finish	<b>2</b>	1/2" NPT	<b>C</b>	Aisi 316 Ti	<b>B</b>	Drain / Vent 3/4"
<b>C</b>	1"	<b>E</b>	RTJ Ring Joint	<b>3</b>	3/4" NPT	<b>D</b>	Monel 400	<b>C</b>	Locking Device
<b>D</b>	1 1/2"	<b>G</b>	FF Smooth Finish	<b>4</b>	1" NPT	<b>E</b>	Duplex F51	<b>D</b>	Drain/Vent Anti-Tamper
<b>E</b>	2"			<b>5</b>	Flanged = IN	<b>G</b>	Super Duplex F55	<b>H</b>	Ball Packing - Peek
<b>F</b>	3"					<b>H</b>	Hastelloy C276	<b>I</b>	Ball Packing - Devlon
						<b>I</b>	Inconel 625	<b>O</b>	Ball Packing PTFE
						<b>J</b>	Incolloy 825	<b>X</b>	100% 316L
						<b>L</b>	Titanium		
						<b>M</b>	A350-LF2		
						<b>N</b>	F44		
						<b>Q</b>	ASTM B148		



**SAMI instruments srl**  
 via Botte, 8  
 35011 Reschigliano  
 di Campodarsego • PD • Italy

tel. +39 049 9201939  
 fax +39 049 9217549  
 info@sami-instruments.com  
 www.sami-instruments.com

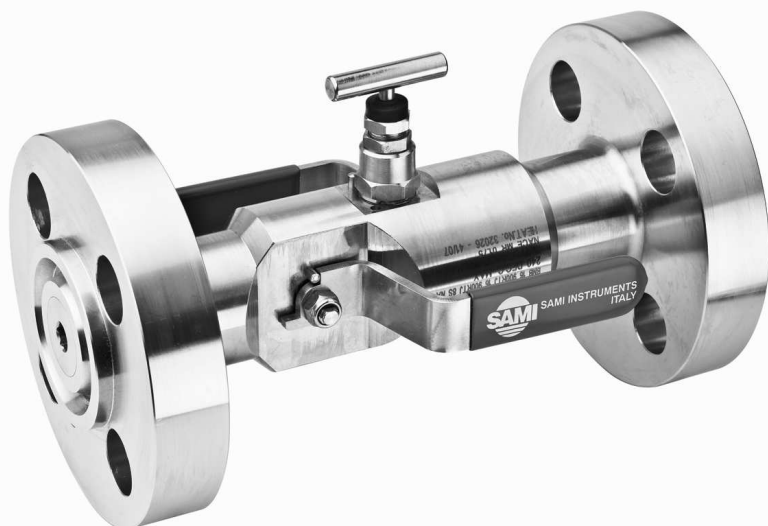


Sami Instruments monoblock valves provide a smooth transition from process to instrumentation systems in a single, compact assembly. Benefits include fewer leak points and reduced size and weight compared to traditional systems.



### Features

- Process interface in one compact ball/needle/ball valve assembly
- One piece forged body
- Available configurations: compact block, block and bleed and double block and bleed
- Flange connections in compliance with ASME B16.5 RF and RTJ; NPT connections in compliance with ASME B1.20.1
- Anti-blowout valve stems and needles
- Ratings from 150 up to 2500 lbs
- Stainless steel handle standard with full grip PVC sleeve
- Stop pin
- One-piece stem spindle
- Finished ball for low operating torque and long life
- Vibration resistant gland nut
- Externally adjustable gland
- Bore size 10 mm

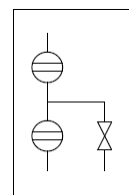
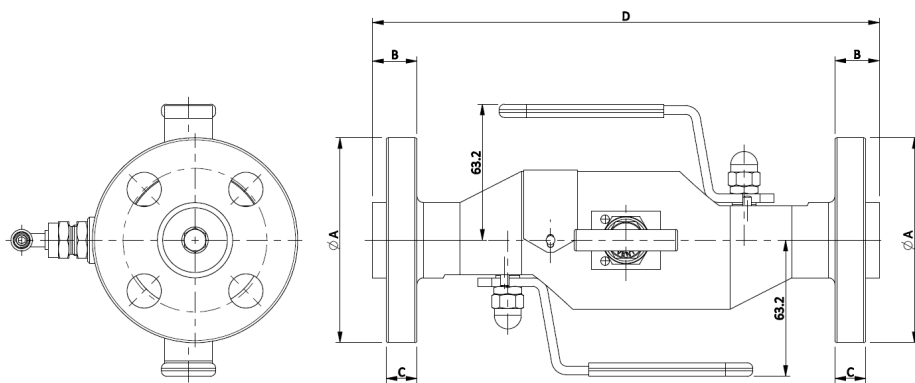


SAMI instruments srl  
via Botte, 8  
35011 Reschigliano  
di Campodarsego • PD • Italy

tel. +39 049 9201939  
fax +39 049 9217549  
info@sami-instruments.com  
www.sami-instruments.com







PART NUMBER	FEATURES					
	RATING		A	B	C	D
BB1A1AB5A	1/2"	150	88.9	11.1	9.5	235
BB1A1BB5A	3/4"	150	98.4	12.7	11.1	235
BB1A1CB5A	1"	150	107.9	14.3	12.7	235
BB1A1DB5A	1-1/2"	150	127	17.5	15.9	235
BB1A1EB5A	2"	150	152.4	19.05	17.45	254
BB1A2AB5A	1/2"	300	95.2	14.3	12.7	235
BB1A2BB5A	3/4"	300	117.5	15.9	14.3	235
BB1A2CB5A	1"	300	123.8	17.5	15.9	235
BB1A2DB5A	1-1/2"	300	155.6	20.6	19	254
BB1A2EB5A	2"	300	165.1	22.2	20.6	254
BB1A3AB5A	1/2"	600	95.2	20.6	14.3	235
BB1A3BB5A	3/4"	600	117.5	22.2	15.9	235
BB1A3CB5A	1"	600	123.8	23.8	17.5	254
BB1A3DB5A	1-1/2"	600	155.6	28.5	22.2	254
BB1A3EB5A	2"	600	165.1	31.7	25.4	267

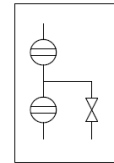
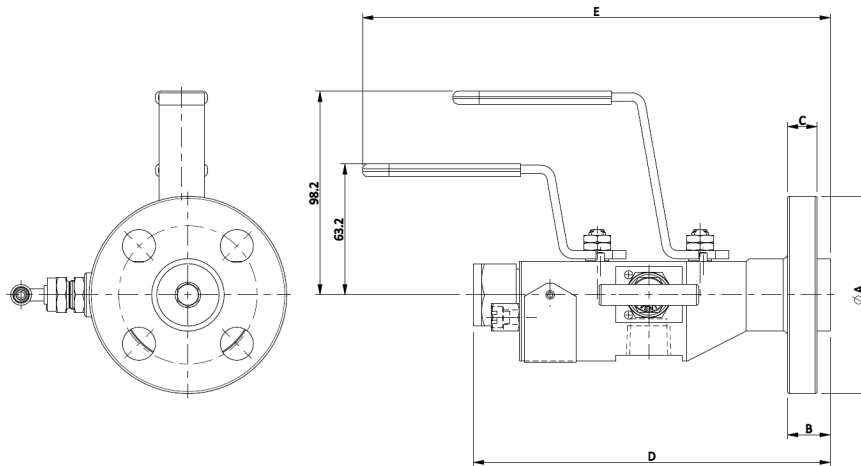
PART NUMBER	FEATURES					
	RATING	RATING	A	B	C	D
BB1A4AB5A	1/2"	900	120.6	28.5	22.2	254
BB1A4BB5A	3/4"	900	130.2	31.7	25.4	254
BB1A4CB5A	1"	900	149.2	34.9	28.6	267
BB1A4DB5A	1-1/2"	900	177.8	38	31.7	267
BB1A4EB5A	2"	900	215.9	44.4	38.1	314
BB1A5AB5A	1/2"	1500	120.6	28.5	22.2	254
BB1A5BB5A	3/4"	1500	130.2	31.7	25.4	254
BB1A5CB5A	1"	1500	149.2	34.9	28.6	367
BB1A5DB5A	1-1/2"	1500	177.8	38	31.7	267
BB1A5EB5A	2"	1500	215.9	44.4	38.1	314
BB1A6AB5A	1/2"	2500	133.35	36.5	30.2	267
BB1A6BB5A	3/4"	2500	139.7	38	31.7	267
BB1A6CB5A	1"	2500	158.75	41.2	34.9	267
BB1A6DB5A	1-1/2"	2500	203.2	50.7	44.4	314
BB1A6EB5A	2"	2500	234.95	57.1	50.8	334



SAMI instruments srl  
 via Botte, 8  
 35011 Reschigliano  
 di Campodarsego • PD • Italy

tel. +39 049 9201939  
 fax +39 049 9217549  
 info@sami-instruments.com  
 www.sami-instruments.com





PART NUMBER	FEATURES						
	RATING	A	B	C	D	E	
BA1A1AB2A	1/2"	150	88.9	11.1	9.5	172	225.4
BA1A1BB2A	3/4"	150	98.4	12.7	11.1	172	225.4
BA1A1CB2A	1"	150	107.9	14.3	12.7	172	225.4
BA1A1DB2A	1-1/2"	150	127	17.5	15.9	172	225.4
BA1A1EB2A	2"	150	152.4	19.05	17.45	182	235.4
BA1A2AB2A	1/2"	300	95.2	14.3	12.7	172	225.4
BA1A2BB2A	3/4"	300	117.5	15.9	14.3	172	225.4
BA1A2CB2A	1"	300	123.8	17.5	15.9	172	225.4
BA1A2DB2A	1-1/2"	300	155.6	20.6	19	182	235.4
BA1A2EB2A	2"	300	165.1	22.2	20.6	182	235.4
BA1A3AB2A	1/2"	600	95.2	20.6	14.3	172	225.4
BA1A3BB2A	3/4"	600	117.5	22.2	15.9	172	225.4
BA1A3CB2A	1"	600	123.8	23.8	17.5	172	225.4
BA1A3DB2A	1-1/2"	600	155.6	28.5	22.2	182	235.4
BA1A3EB2A	2"	600	165.1	31.7	25.4	182	235.4

PART NUMBER	FEATURES						
	RATING	RATING	A	B	C	D	E
BA1A4AB2A	1/2"	900	120.6	28.5	22.2	182	235.4
BA1A4BB2A	3/4"	900	130.2	31.7	25.4	182	235.4
BA1A4CB2A	1"	900	149.2	34.9	28.6	192	245.4
BA1A4DB2A	1-1/2"	900	177.8	38	31.7	204	257.4
BA1A4EB2A	2"	900	215.9	44.4	38.1	222	275.4
BA1A5AB2A	1/2"	1500	120.6	28.5	22.2	182	235.4
BA1A5BB2A	3/4"	1500	130.2	31.7	25.4	182	235.4
BA1A5CB2A	1"	1500	149.2	34.9	28.6	192	245.4
BA1A5DB2A	1-1/2"	1500	177.8	38	31.7	204	257.4
BA1A5EB2A	2"	1500	215.9	44.4	38.1	222	275.4
BA1A6AB2A	1/2"	2500	133.35	36.5	30.2	192	245.4
BA1A6BB2A	3/4"	2500	139.7	38	31.7	192	245.4
BA1A6CB2A	1"	2500	158.75	41.2	34.9	192	245.4
BA1A6DB2A	1-1/2"	2500	203.2	50.7	44.4	222	275.4
BA1A6EB2A	2"	2500	234.95	57.1	50.8	222	275.4



SAMI instruments srl  
 via Botte, 8  
 35011 Reschigliano  
 di Campodarsego • PD • Italy

tel. +39 049 9201939  
 fax +39 049 9217549  
 info@sami-instruments.com  
 www.sami-instruments.com



## Instrumentation DBB 10mm bore



### Ordering Information Threaded DBB

Model	Configuration	Trim	Rating	Inlet Size	End Type	Outlet Size	Material	Options
<b>BC</b>	<b>1</b>	<b>A</b>	<b>7</b>	<b>A</b>	<b>J</b>	<b>2</b>	<b>A</b>	<b>A</b>

Model		Configuration		Trim		Rating	
<b>BC</b>	DBB Threaded/Threaded	<b>1</b>	Block - Bleed - Block	<b>A</b>	BALL, NEEDLE, BALL	<b>7</b>	6.000 psi
		<b>5</b>	Block - Bleed	<b>E</b>	BALL, NEEDLE	<b>8</b>	10.000 psi
		<b>7</b>	Block - Block	<b>F</b>	BALL, BALL		
				<b>R</b>	BALL, BALL, BALL		

Inlet Size		End Type		Outlet Size		Material		Options	
<b>A</b>	1/2"	<b>J</b>	NPT	<b>1</b>	1/4" NPT	<b>A</b>	Aisi 316L	<b>A</b>	Drain / Vent 1/4"
<b>B</b>	3/4"	<b>L</b>	BSPP	<b>2</b>	1/2" NPT	<b>C</b>	Aisi 316 Ti	<b>B</b>	Drain / Vent 3/4"
<b>C</b>	1"	<b>M</b>	BSPT	<b>3</b>	3/4" NPT	<b>D</b>	Monel 400	<b>C</b>	Locking Device
		<b>N</b>	S.W.	<b>4</b>	1" NPT	<b>E</b>	Duplex F51	<b>D</b>	Drain/Vent Anti-Tamper
		<b>O</b>	B.W.			<b>G</b>	Super Duplex F55	<b>H</b>	Ball Packing - Peek
						<b>H</b>	Hastelloy C276	<b>I</b>	Ball Packing - Devlon
						<b>I</b>	Inconel 625	<b>O</b>	Ball Packing PTFE
						<b>J</b>	Incolloy 825	<b>P</b>	Connections Male/Female
						<b>L</b>	Titanium	<b>Q</b>	Connections Male/Male
						<b>M</b>	A350-LF2	<b>X</b>	100% 316L
						<b>N</b>	F44		
						<b>Q</b>	ASTM B148		

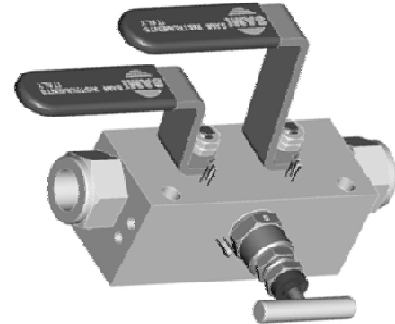
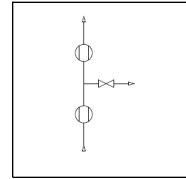
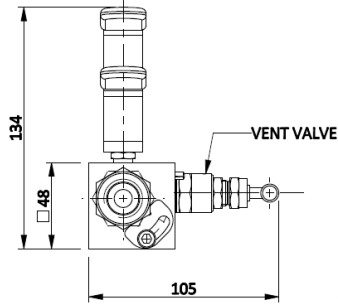
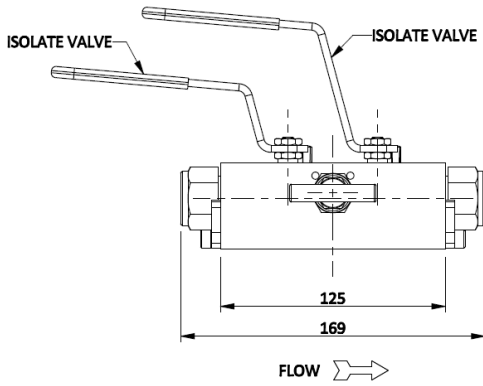


SAMI instruments srl  
 via Botte, 8  
 35011 Reschigliano  
 di Campodarsego • PD • Italy

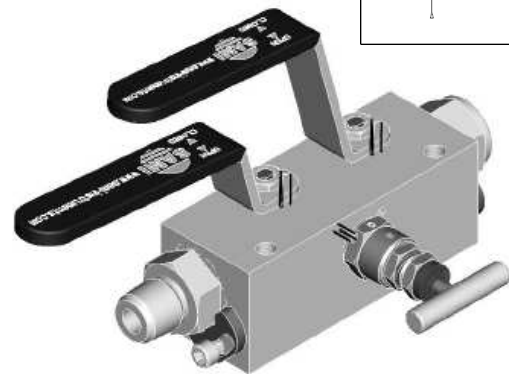
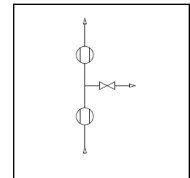
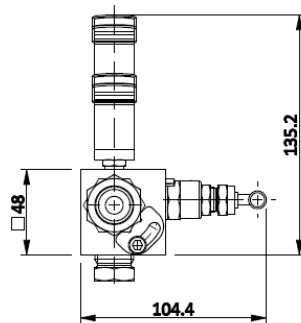
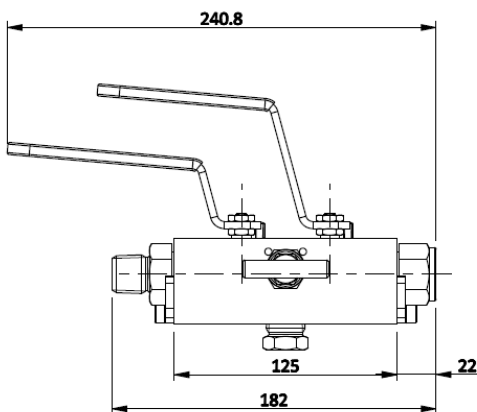
tel. +39 049 9201939  
 fax +39 049 9217549  
 info@sami-instruments.com  
 www.sami-instruments.com



### Female/Female version



### Male/Female version



SAMI instruments srl  
 via Botte, 8  
 35011 Reschigliano  
 di Campodarsego • PD • Italy

tel. +39 049 9201939  
 fax +39 049 9217549  
 info@sami-instruments.com  
 www.sami-instruments.com



## Injection DBB 10mm bore



### Ordering Information Injection DBB

Model	Configuration	Trim	Inlet Size	Outlet Size	Rating	End Type	Material	Quill	Options
<b>JA</b>	<b>1</b>	<b>A</b>	<b>2</b>	<b>C</b>	<b>1</b>	<b>B</b>	<b>A</b>	<b>XXX</b>	<b>A</b>

Model		Configuration		Trim		Inlet Size	
<b>JA</b>	Injection Threaded/Flanged	<b>1</b>	Block - Bleed - Block	<b>A</b>	BALL, NEEDLE, BALL	<b>1</b>	1/4" NPT
<b>JB</b>	Injection Flanged/Flanged	<b>3</b>	Block - Block - Bleed	<b>B</b>	BALL, NEEDLE, NEEDLE	<b>2</b>	1/2" NPT
<b>JD</b>	Injection Threaded/Flanged Quill Type "B" (Closed)	<b>5</b>	Block - Bleed	<b>C</b>	BALL, BALL, NEEDLE	<b>3</b>	3/4" NPT
<b>JE</b>	Injection Flanged/Flanged Quill Type "B" (Closed)	<b>7</b>	Block - Block	<b>D</b>	BALL, NEEDLE	<b>4</b>	1" NPT
		<b>9</b>	Block	<b>E</b>	BALL, BALL	<b>5</b>	Flanged = OUT
				<b>F</b>	BALL		
				<b>R</b>	BALL, BALL, BALL		

Outlet Size		Rating		End Type		Material		Quill Length		Options	
<b>C</b>	1"	<b>1</b>	150 lbs	<b>A</b>	RF Stock Finish	<b>A</b>	Aisi 316L	<b>XXX</b>	To Be Advised	<b>A</b>	Drain / Vent 1/4"
<b>D</b>	1 1/2"	<b>2</b>	300 lbs	<b>B</b>	RF Smooth Finish	<b>C</b>	Aisi 316 Ti	<b>000</b>	Not Present	<b>B</b>	Drain / Vent 3/4"
<b>E</b>	2"	<b>3</b>	600 lbs	<b>E</b>	RTJ Ring Joint	<b>D</b>	Monel 400			<b>C</b>	Locking Device
		<b>4</b>	900 lbs	<b>G</b>	FF Smooth Finish	<b>E</b>	Duplex F51			<b>D</b>	Drain/Vent Anti-Tamper
		<b>5</b>	1500 lbs			<b>G</b>	Super Duplex F55			<b>H</b>	Ball Packing - Peek
		<b>6</b>	2500 lbs			<b>H</b>	Hastelloy C276			<b>I</b>	Ball Packing - Devlon
						<b>I</b>	Inconel 625			<b>O</b>	Ball Packing PTFE
						<b>J</b>	Incolloy 825			<b>X</b>	100% 316L
						<b>L</b>	Titanium				
						<b>M</b>	A350-LF2				
						<b>N</b>	F44				
						<b>Q</b>	ASTM B148				



**SAMI instruments srl**  
 via Botte, 8  
 35011 Reschigliano  
 di Campodarsego • PD • Italy

tel. +39 049 9201939  
 fax +39 049 9217549  
 info@sami-instruments.com  
 www.sami-instruments.com



### Ordering Information Sampling DBB

Model	Configuration	Trim	Rating	Inlet Size	End Type	Outlet Size	Material	Quill	Options
<b>SF</b>	<b>1</b>	<b>A</b>	<b>1</b>	<b>A</b>	<b>B</b>	<b>2</b>	<b>A</b>	<b>XXX</b>	<b>A</b>

Model		Configuration		Trim		Rating	
<b>SF</b>	Sampling Flanged/Threaded	<b>1</b>	Block - Bleed - Block	<b>A</b>	BALL, NEEDLE, BALL	<b>1</b>	150 lbs
<b>SL</b>	Sampling Flanged/Flanged	<b>3</b>	Block - Block - Bleed	<b>B</b>	BALL, NEEDLE, NEEDLE	<b>2</b>	300 lbs
		<b>5</b>	Block - Bleed	<b>C</b>	BALL, BALL, NEEDLE	<b>3</b>	600 lbs
		<b>7</b>	Block - Block	<b>E</b>	BALL, NEEDLE	<b>4</b>	900 lbs
		<b>9</b>	Block	<b>F</b>	BALL	<b>5</b>	1500 lbs
				<b>R</b>	BALL, BALL, BALL	<b>6</b>	2500 lbs

Inlet Size		End Type		Outlet Size		Material		Quill Length		Options	
<b>C</b>	1"	<b>A</b>	RF Stock Finish	<b>1</b>	1/4" NPT	<b>A</b>	Aisi 316L	<b>XXX</b>	To Be Advised	<b>A</b>	Drain / Vent 1/4"
<b>D</b>	1 1/2"	<b>B</b>	RF Smooth Finish	<b>2</b>	1/2" NPT	<b>C</b>	Aisi 316 Ti		<b>000</b>	Not	<b>B</b>
<b>E</b>	2"	<b>E</b>	RTJ Ring Joint	<b>3</b>	3/4" NPT	<b>D</b>	Monel 400				<b>C</b>
		<b>G</b>	FF Smooth Finish	<b>4</b>	1" NPT	<b>E</b>	Duplex F51			<b>D</b>	Drain/Vent Anti-Tamper
				<b>5</b>	Flanged = IN	<b>G</b>	Super Duplex F55			<b>H</b>	Ball Packing - Peek
						<b>H</b>	Hastelloy C276			<b>I</b>	Ball Packing - Devlon
						<b>I</b>	Inconel 625			<b>O</b>	Ball Packing PTFE
						<b>J</b>	Incolloy 825			<b>X</b>	100% 316L
						<b>L</b>	Titanium				
						<b>M</b>	A350-LF2				
						<b>N</b>	F44				
						<b>Q</b>	ASTM B148				



SAMI instruments srl  
 via Botte, 8  
 35011 Reschigliano  
 di Campodarsego • PD • Italy

tel. +39 049 9201939  
 fax +39 049 9217549  
 info@sami-instruments.com  
 www.sami-instruments.com

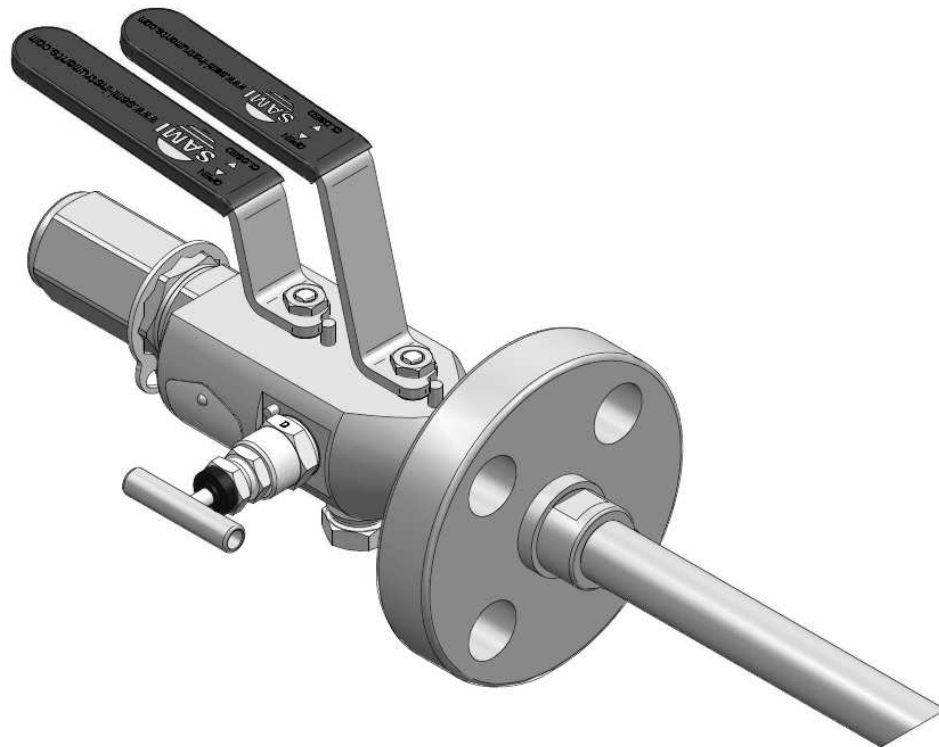


Some applications require to extract a sample of the process fluid or to inject a particular chemical directly into the process stream at full operating pressure and temperature.

To meet this requirement our range of Double Block and Bleed Valves can be fitted with either an Injection Quill or a Sampling Probe designed to meet the individual needs.

The Injection DBB valves are fitted with a check valve to prevent back flow into the process stream.

A bolted flange prevents the fitting from unscrewing during assembly.



### Features

- Process interface in one compact ball/needle/ball valve assembly
- One piece forged body
- Available configurations: compact block, block and bleed and double block and bleed
- Flange connections in accordance with ASME B16.5 RF and RTJ; NPT connections in accordance with ASME B1.20.1
- Anti-blowout valve stems and needles
- Ratings from 150 up to 2500 lbs
- Stainless steel handle standard with full grip PVC sleeve
- Stop pin
- One-piece stem spindle
- Finished ball for low operating torque and long life
- Vibration resistant gland nut
- Externally adjustable gland
- Bore size 10 mm

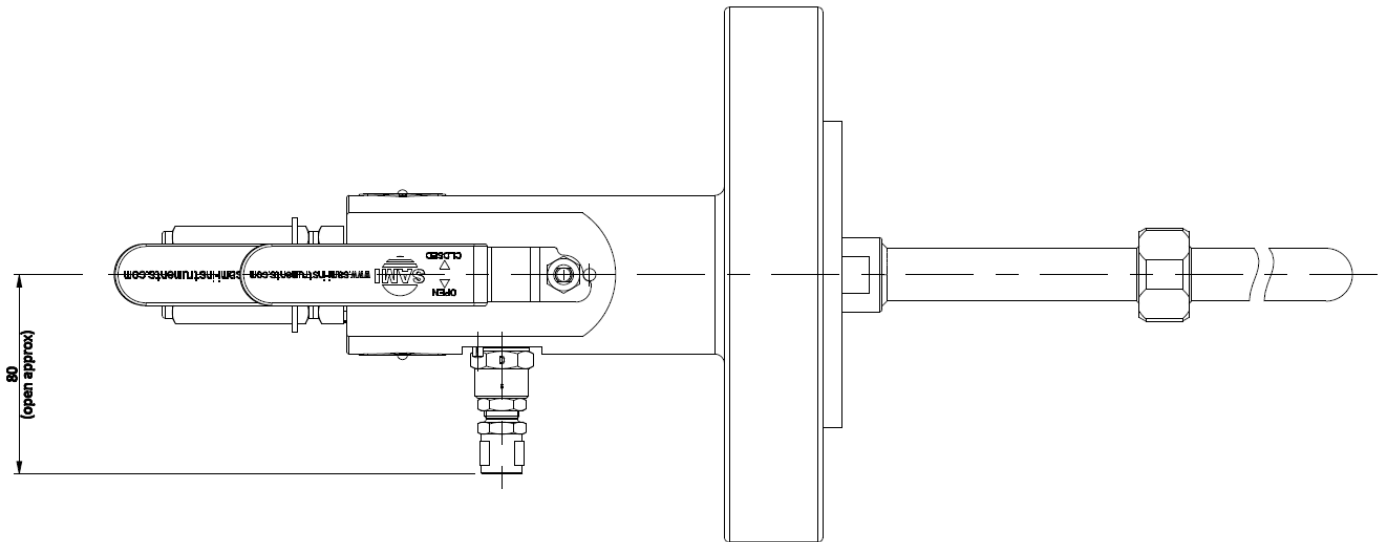


**SAMI instruments srl**  
via Botte, 8  
35011 Reschigliano  
di Campodarsego • PD • Italy

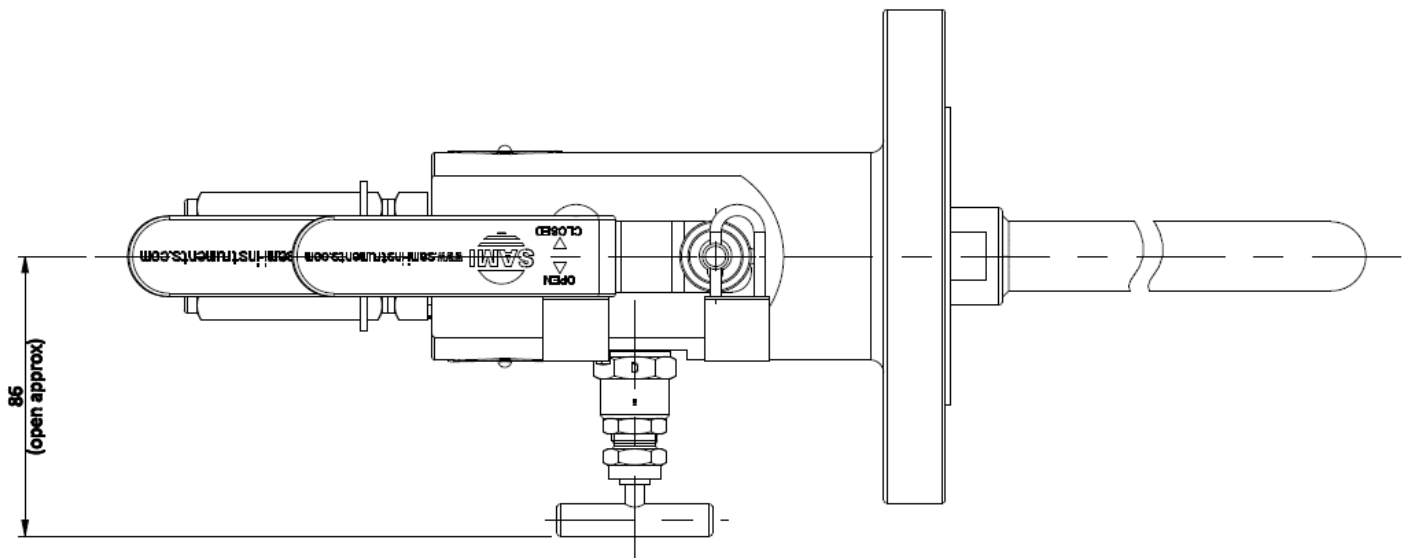
tel. +39 049 9201939  
fax +39 049 9217549  
info@sami-instruments.com  
www.sami-instruments.com



### *Injection DBB valve with Drain Anti-Tamper and Anti-Vibration Collar*



### *Injection DBB valve with Locking Device on Blocks*



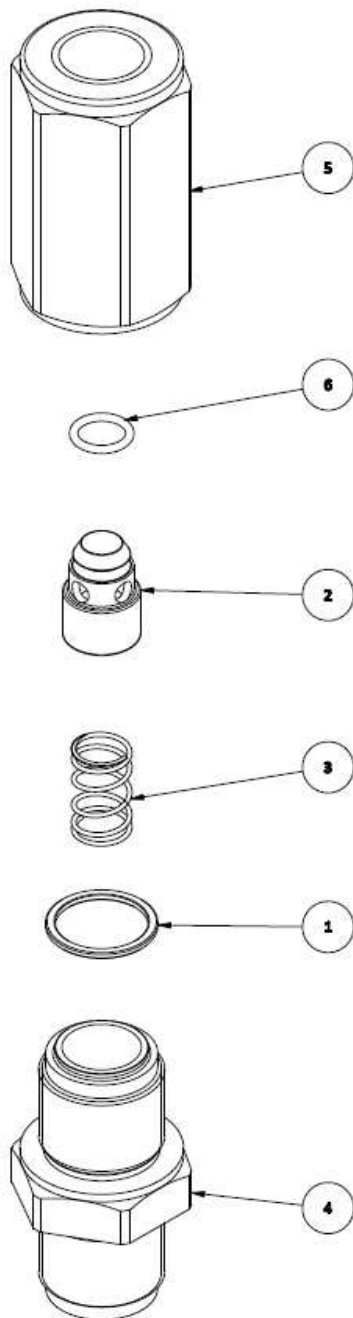
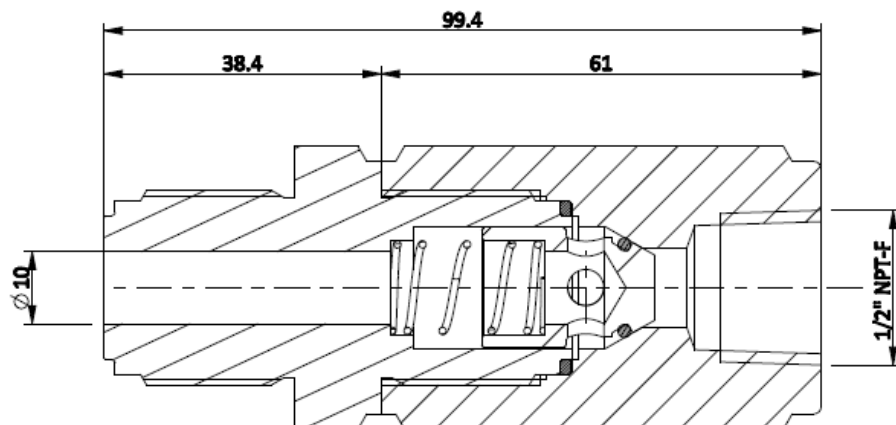
SAMI instruments srl  
via Botte, 8  
35011 Reschigliano  
di Campodarsego • PD • Italy

tel. +39 049 9201939  
fax +39 049 9217549  
info@sami-instruments.com  
www.sami-instruments.com





## Check Valve



Materials Table		
1	METAL SEAT	AISI 316L
2	CHECK VALVE SHUTTER	AISI 316L
3	SPRING	AISI 316
4	M/M FITTING	AISI 316L
5	1/2" NPT-F FITTING	AISI 316L
6	O-RING	VITON

### Check valve

This high integrity full bore non-return valve avoids the risk of back flow out of the process stream. The design uses a spring loaded poppet to ensure leak proof performance. The Non-Return Check Valve is designed for higher flow and low pressure drop across the valve - having a larger inner bore than most manufacturers of equivalent products.

As standard a viton o-ring will be supplied with a cracking pressure of 10 psig.



**SAMI instruments srl**  
 via Botte, 8  
 35011 Reschigliano  
 di Campodarsego • PD • Italy

tel. +39 049 9201939  
 fax +39 049 9217549  
 info@sami-instruments.com  
 www.sami-instruments.com





### Ordering Information Piping DBB

Version	Bore	Trim	Configuration	Rating	Inlet Size	End Type	Outlet Size	Material	Options
<b>R</b>	<b>M</b>	<b>1</b>	<b>A</b>	<b>1</b>	<b>E</b>	<b>B</b>	<b>E</b>	<b>A</b>	<b>A</b>

Version	
<b>R</b>	Reduced Bore
<b>F</b>	Full Bore

Bore			
<b>A</b>	BALL Ø 13 Flanged/Threaded	<b>I</b>	BALL Ø 25 Threaded/Threaded
<b>B</b>	BALL Ø 13 Flanged/Flanged	<b>L</b>	BALL Ø 38 Flanged/Threaded
<b>C</b>	BALL Ø 13 Threaded/Threaded	<b>M</b>	BALL Ø 38 Flanged/Flanged
<b>D</b>	BALL Ø 19 Flanged/Threaded	<b>N</b>	BALL Ø 42 Flanged/Flanged
<b>E</b>	BALL Ø 19 Flanged/Flanged	<b>O</b>	BALL Ø 42 Threaded/Threaded
<b>F</b>	BALL Ø 19 Threaded/Threaded	<b>P</b>	BALL Ø 49 Flanged/Threaded
<b>G</b>	BALL Ø 25 Flanged/Threaded	<b>Q</b>	BALL Ø 49 Flanged/Flanged
<b>H</b>	BALL Ø 25 Flanged/Flanged		

Trim	
<b>1</b>	Block - Bleed - Block
<b>3</b>	Block - Block - Bleed
<b>5</b>	Block - Bleed
<b>7</b>	Block - Block
<b>9</b>	Block

Configuration	
<b>A</b>	BALL, NEEDLE, BALL
<b>B</b>	BALL, NEEDLE, NEEDLE
<b>C</b>	BALL, BALL, NEEDLE
<b>E</b>	BALL, NEEDLE
<b>F</b>	BALL, BALL
<b>I</b>	NEEDLE, NEEDLE, NEEDLE
<b>O</b>	BALL
<b>R</b>	BALL, BALL, BALL

Rating	
<b>1</b>	150 lbs
<b>2</b>	300 lbs
<b>3</b>	600 lbs
<b>4</b>	900 lbs
<b>5</b>	1500 lbs
<b>6</b>	2500 lbs
<b>7</b>	6,000 psi
<b>8</b>	10,000 psi
<b>A</b>	API 5K
<b>B</b>	API 10K
<b>C</b>	API 15K

Inlet Size	
<b>A</b>	1/2"
<b>B</b>	3/4"
<b>C</b>	1"
<b>D</b>	1 1/2"
<b>E</b>	2"
<b>F</b>	3"
<b>1</b>	1 13/16"
<b>2</b>	2 9/16"

End Type	
<b>A</b>	RF Stock Finish
<b>B</b>	RF Smooth Finish
<b>C</b>	RF Concentring
<b>D</b>	RF Spiral
<b>E</b>	RTJ Ring Joint
<b>F</b>	FF Stock Finish
<b>G</b>	FF Smooth Finish
<b>H</b>	FF Concentric
<b>I</b>	FF Spiral
<b>J</b>	NPT-F
<b>L</b>	BSP
<b>M</b>	BSPT
<b>N</b>	S.W.
<b>O</b>	B.W.

Outlet Size	
<b>1</b>	1/4" NPT
<b>2</b>	1/2" NPT
<b>3</b>	3/4" NPT
<b>4</b>	1" NPT
<b>5</b>	1 1/2" NPT
<b>A</b>	1/2"
<b>B</b>	3/4"
<b>C</b>	1"
<b>D</b>	1 1/2"
<b>E</b>	2"
<b>F</b>	3"
<b>1</b>	1 13/16"
<b>2</b>	2 9/16"

Material	
<b>A</b>	Aisi 316L
<b>C</b>	Aisi 316 Ti
<b>D</b>	Monel 400
<b>E</b>	Duplex F51
<b>G</b>	Super Duplex F55
<b>H</b>	Hastelloy C276
<b>I</b>	Inconel 625
<b>J</b>	Incolloy 825
<b>L</b>	Titanium
<b>M</b>	A350-LF2
<b>N</b>	F44
<b>Q</b>	ASTM B148

Options			
<b>A</b>	Drain / Vent 1/4"	<b>G</b>	BSPT Thread - Out
<b>B</b>	Drain / Vent 3/4"	<b>H</b>	Standard Painting
<b>C</b>	Locking Device (ball)	<b>L</b>	AED O-Ring
<b>D</b>	Locking Device (bonnet)	<b>M</b>	Ball Packing Peek
<b>E</b>	Drain/Vent Anti-Tamper	<b>O</b>	2 Piece design
<b>F</b>	BSPP Thread - Out	<b>P</b>	3 Piece design



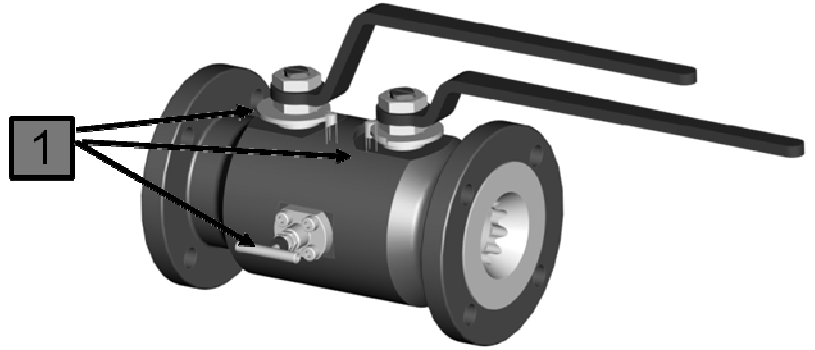
**SAMI instruments srl**  
 via Botte, 8  
 35011 Reschigliano  
 di Campodarsego • PD • Italy

tel. +39 049 9201939  
 fax +39 049 9217549  
 info@sami-instruments.com  
 www.sami-instruments.com



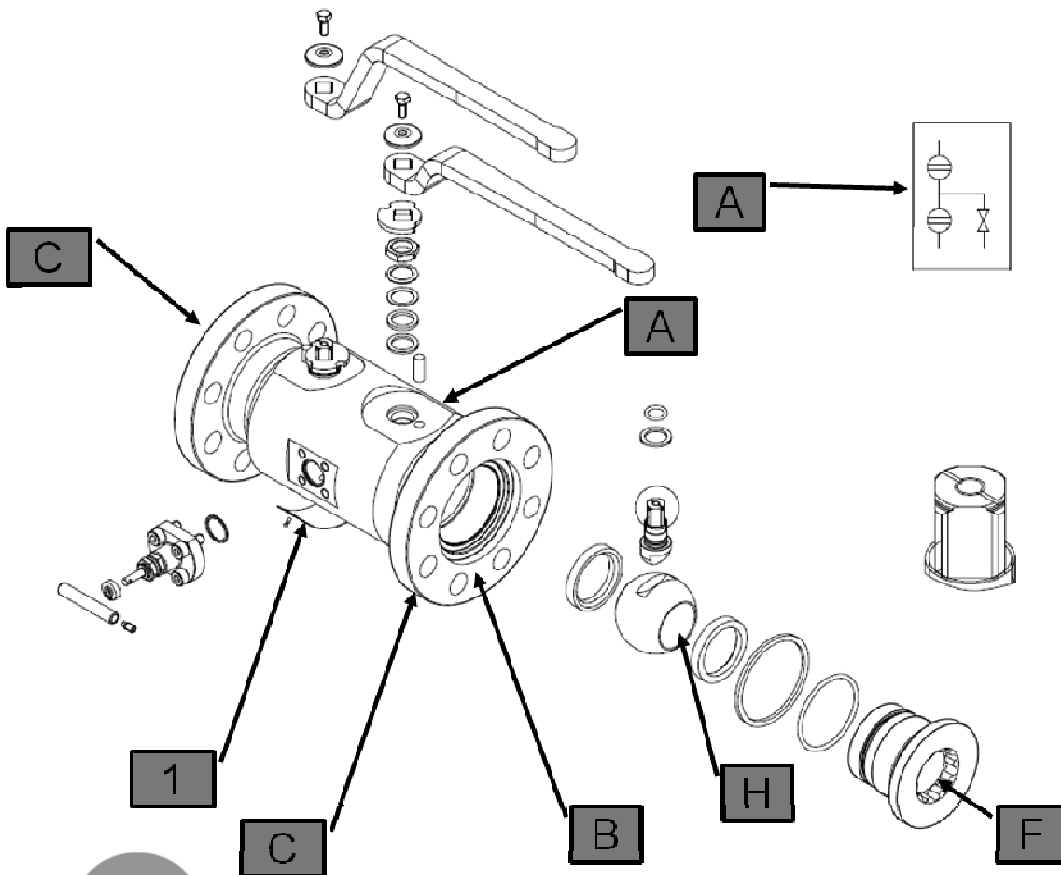
Code: **FH1A1CBCA**

<b>F</b>	<b>FULL BORE</b>
<b>H</b>	<b>BALL ø 25 mm Flanged/threaded</b>
<b>1</b>	<b>Block-Bleed-Block</b>
<b>A</b>	<b>Ball-Needle-Ball</b>
<b>1</b>	<b>Rating 150 lbs</b>
<b>C</b>	<b>Inlet 1"</b>
<b>B</b>	<b>Flange end RF</b>
<b>C</b>	<b>Outlet 1"</b>
<b>A</b>	<b>Material AISI 316 L</b>



### Standard Ball Packing for 10 mm bore size:

- From rating 150 to 600 lbs included: PTFE Carbographe, standard O-Ring FKM. Temperature range: -20°C +180°C
- From rating 900 to rating 2500 lbs included: PEEK, standard O-Ring FKM. Temperature range: -20°C +180°C.
- Other packing materials are available on demand.

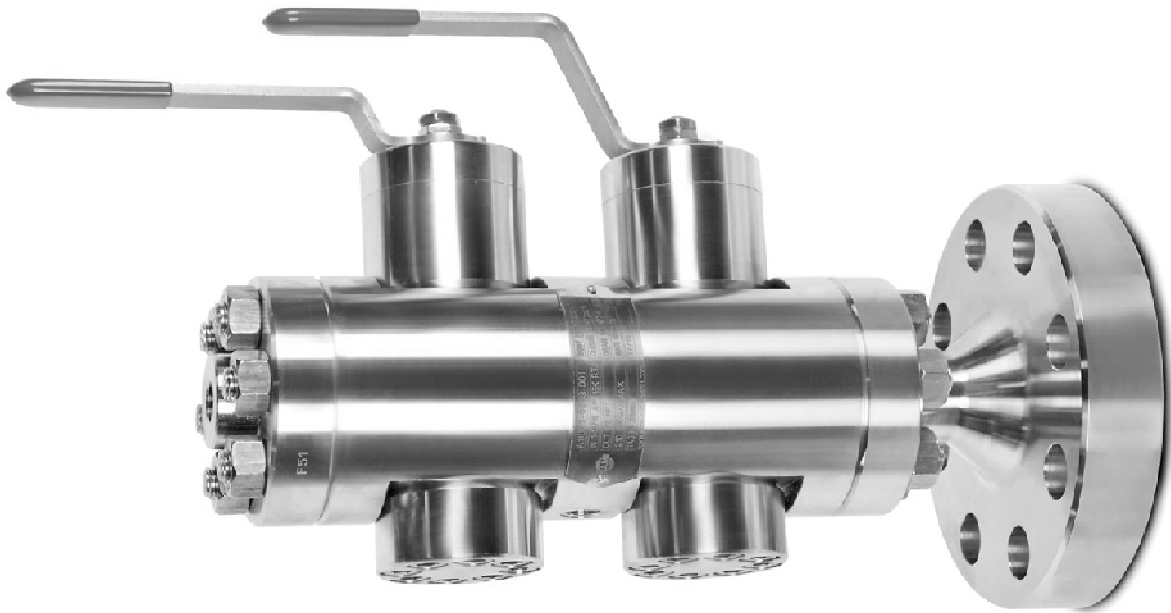


SAMI instruments srl  
 via Botte, 8  
 35011 Reschigliano  
 di Campodarsego • PD • Italy

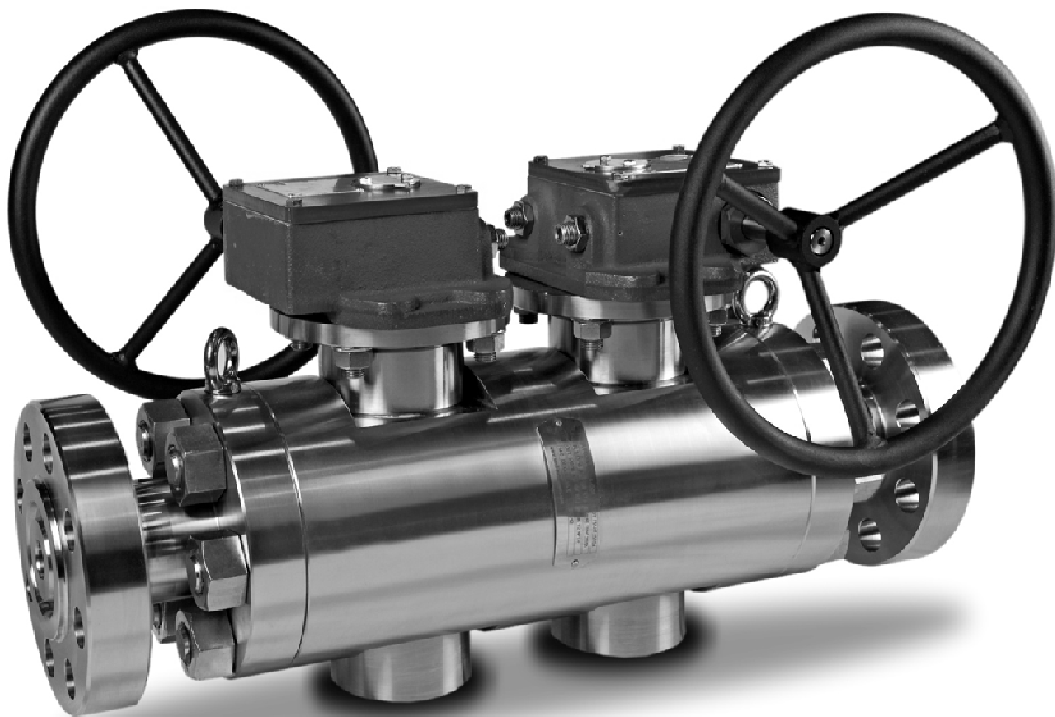
tel. +39 049 9201939  
 fax +39 049 9217549  
 info@sami-instruments.com  
 www.sami-instruments.com



*API 5K - 10K - 15K*



*Actuated DBB valve*



**SAMI instruments srl**  
 via Botte, 8  
 35011 Reschigliano  
 di Campodarsego • PD • Italy

tel. +39 049 9201939  
 fax +39 049 9217549  
 info@sami-instruments.com  
 www.sami-instruments.com



### Special Customized Projects



**DBB - O.S.&Y./NEEDLE/NEEDLE**  
API 10K  
Inlet: 1 13/16 "   
Outlet: 1/2 " NPT-F  
Material: DUPLEX F51  
Painted



**SBB - BALL/NEEDLE**  
Rating: ANSI 1500 RTJ  
Inlet: 1 1/2 "   
Outlet: 1 1/2 "   
Material: A305 LF2  
Painted



**DBB - BALL/NEEDLE/BALL**  
API 10K  
Inlet: 2 1/16 "   
Outlet: 2 1/16 "   
Material: DUPLEX F51  
Painted



SAMI instruments srl  
via Botte, 8  
35011 Reschigliano  
di Campodarsego • PD • Italy

tel. +39 049 9201939  
fax +39 049 9217549  
info@sami-instruments.com  
www.sami-instruments.com



